

DATA SHEET

DC Filter Capacitor

for Power Electronics

TYPE : PVAJP 970 - 1/1000

Standard acc. to IEC 61071, EN 61 881

CHARACTERISTICS

Rated DC voltage	VDC	1 000
Capacitance	μF	1 000
C_N tolerance	%	± 10
I_{max} maximal current	A	180
I_N nominal current	A	90
u_{max} periodic 90% of time	V	1100
u_s non periodic	V	1500
i_{max} periodic	kA	2,8
Self inductance	nH	≤ 20

DIMENSIONS

L / tol.	mm	264/310 ± 2
W / tol.	mm	95/127 ± 2
H / tol.	mm	130/265 ± 2

Terminals	Flat copper	nickel-coated
Weight	kg	4,8

THERMAL CONDITIONS

Dielectric losses	W/kvar	0,2
Operating temperature	$^{\circ}\text{C}$	-40/70
Storage temperature	$^{\circ}\text{C}$	-40/85

SERVIS LIFE

Life expectancy	h	130 000
at hot spot	$^{\circ}\text{C}$	55
Failure rate	FIT	200

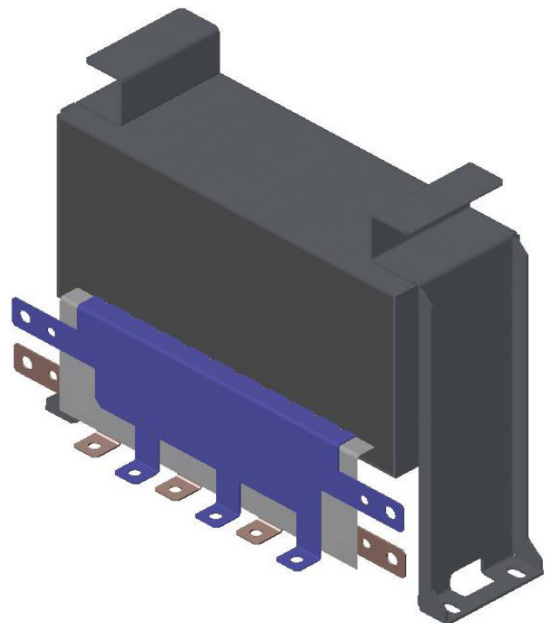
TEST DATA (routine test)

Test voltage U_{TT}	VDC	1,5 x U_n
Test time	sec	10
Test voltage U_{TC}	VAC	3 500
Test time	sec	60

DESIGN

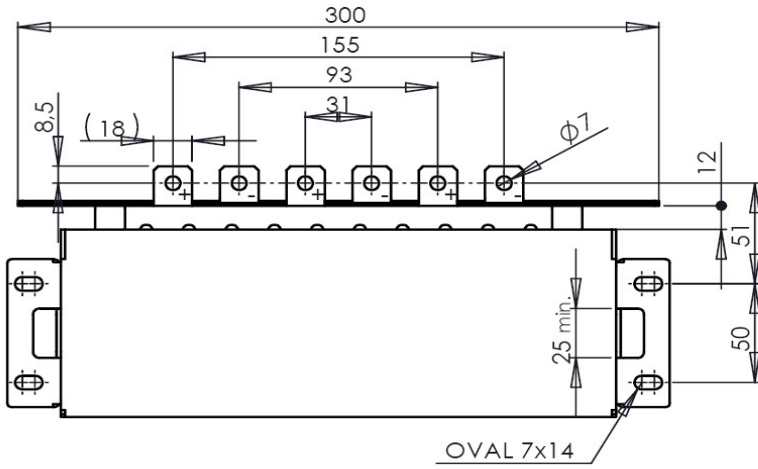
Design MKP metallized polypropylene capacitors encapsulated in aluminium case by polyurethan resin UL-94,V0, dry, PCB and halogen free

Safety devices No fuse Without interrupter

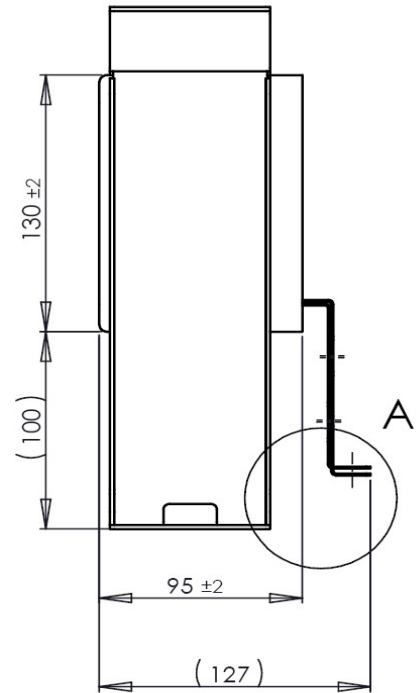
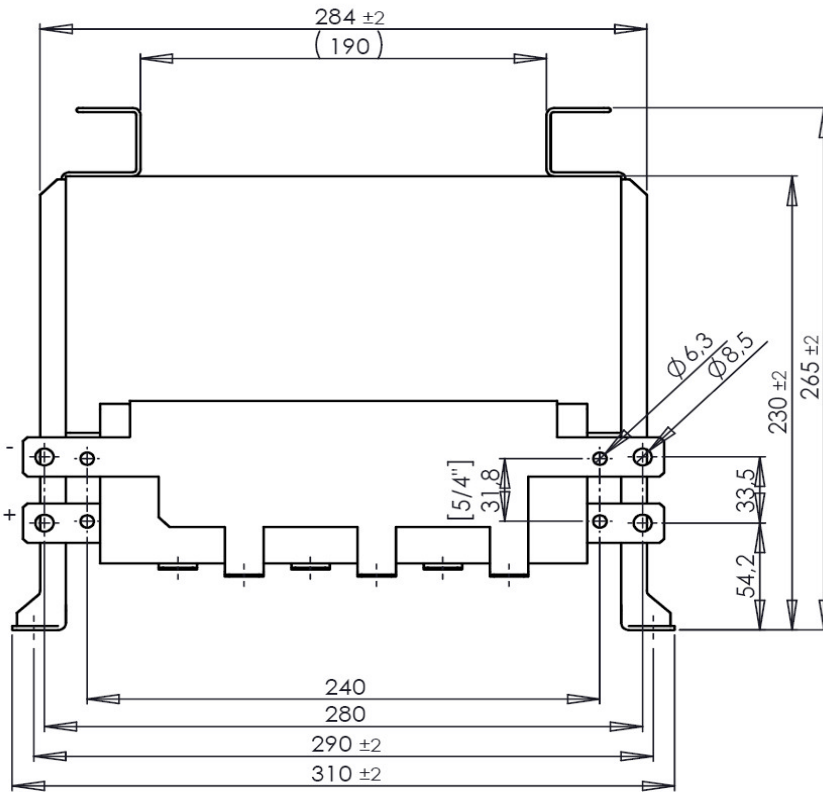
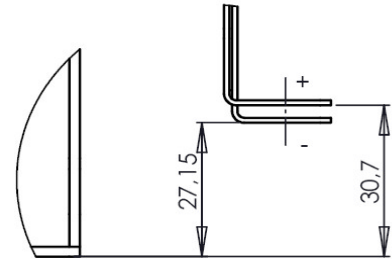


		DRAWN :	Falta	
		DRW. No.	APPVD :	
Page :	1 of 2	3BP1168 Ba	Date :	5.12.2008
	ZEZ-SILKO s.r.o. Pod Černým lesem CZ 564 22 ŽAMBERK Czech Republic	tel : +420 465 673 111 fax : +420 465 612 319 e-mail : zez@zez-silko.cz http://www.zez-silko.cz		

TYPE : PVAJP 970 - 1/1000



DETAIL A



		DRW. No. :	3BP1168 Ba	DRAWN :	Falta
Page : 2 of 2				APPVD :	
				Date :	5.12.2008
	ZEZ-SILKO s.r.o. Pod Černým lesem CZ 564 22 ŽAMBERK Czech Republic	tel : +420 465 673 111 fax : +420 465 612 319 e-mail : zez@zez-silko.cz http://www.zez-silko.cz			